

Asoleadoras

SIGUENOS EN:

Instagram como Mueblesartemoderno

Twitter como @arte_muebles

y facebook como Mueblesartemoderno

tel. 3172207754





Ref. Asol 01

MUEBLES
*Arte
Moderno*





Ref. Asol 02



Las asoleadoras con tres posiciones para reclinar, te brinda un gran confort, están diseñadas especialmente para que disfrutes de tus zonas al aire libre y puedas tomar el sol mientras descansas.

Esta pieza está elaborada en estructura de Aluminio con pintura electrostática, tejido a mano por artesanos en fibra de rattan sintético y con tapones antideslizantes. Dimensiones de Asoleadoras 2 mt de largo * 65 cm de ancho

The image shows two dark brown wicker lounge chairs with adjustable backs and footrests, positioned on a stone patio. A matching wicker side table is placed between them. The background features a white wall with a decorative lattice window, a black metal railing, and a green lawn.

Ref. Asol 03

MUEBLES
Arte
Moderno



OUTDOOR LIVING

A photograph of two lounge chairs with white cushions and a dark brown wicker side table, set on a wooden deck next to a swimming pool. The chairs have a curved, modern design. The side table holds two glasses of orange juice and a purple flower. The background shows a lush green lawn and trees under a clear blue sky.

Ref. Asol 03

MUEBLES
Arte
Moderno

OUTDOOR LIVING



Ref. Asol 04

2 MT DE LARGO * 1 MT DE ANCHO



Ref. Asol 04



Ref. Asol 05





MUEBLES
Arte
Moderno
OUTDOOR LIVING

Ref. Asol 05



Ref. Asol 06





Ref. Asol 06





Ref. Asol 07



Medidas 2 mts * 2 mts

MUEBLES
*Arte
Moderno*



OUTDOOR LIVING



Ref. Asol 07



Ref. Asol 07



Ref. Asol 08





Ref. Asol 09



Ref. Asol 09





Ref. Asol 10



Ref. Asol 11



Ref. Asol 12



Ref. Asol 13



Ref. Asol 13





MUEBLES
Arte
Moderno
OUTDOOR LIVING

Ref. Asol 14



Ref. Asol 14



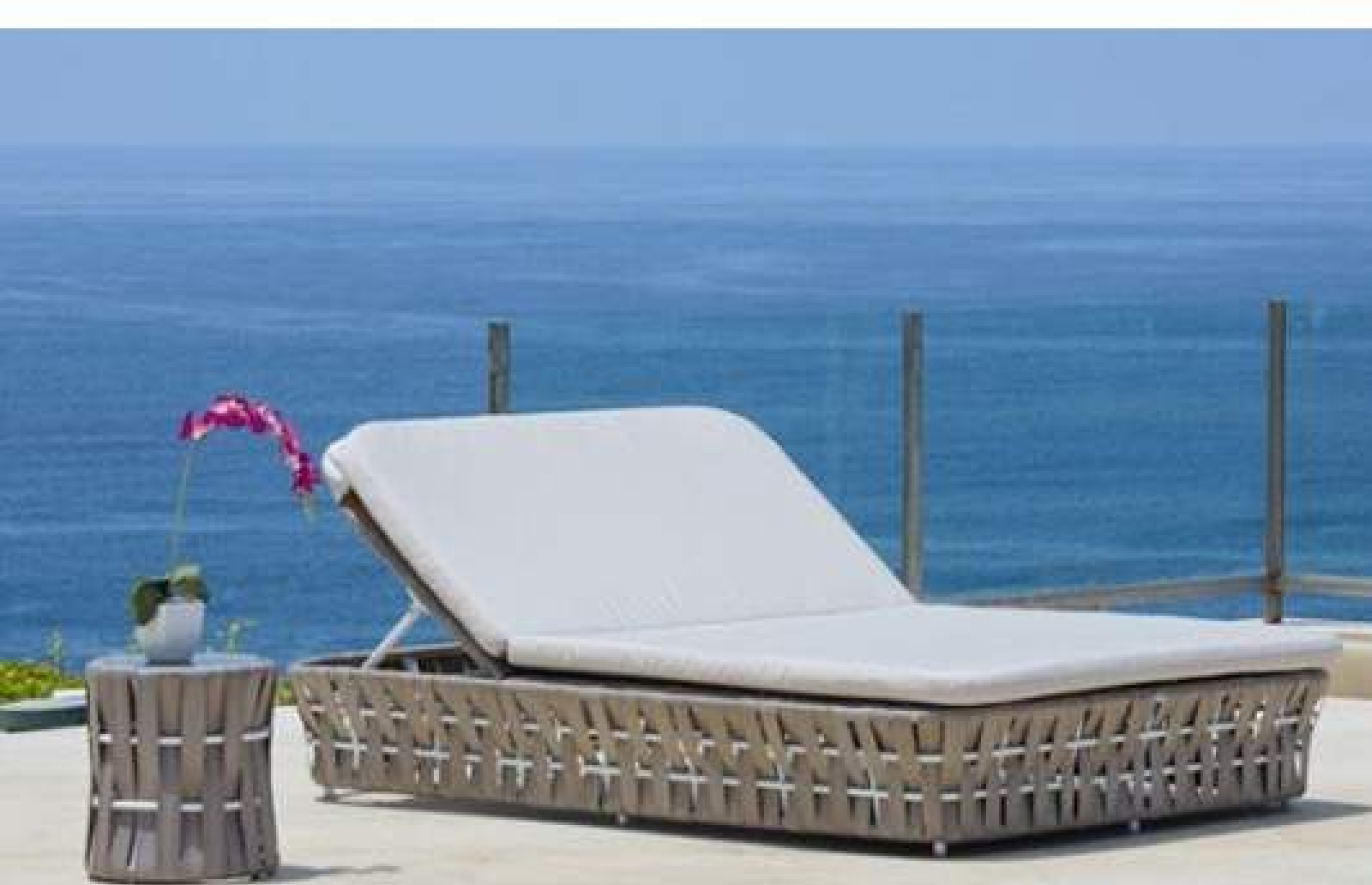


MUEBLES
Arte
Moderno
OUTDOOR LIVING



Ref. Asol 15





Ref. Asol 16



Ref. Asol 17



A photograph of a modern outdoor lounge furniture set on a wooden deck. The set includes two lounge chairs with white cushions and dark frames, and two matching side tables. The furniture is positioned on a wooden deck overlooking a scenic view of the ocean and a rocky coastline. The background features a clear blue sky, palm trees, and a large, rugged rock formation. The furniture is made of a dark, woven material, possibly wicker or rattan, with a dark frame. The cushions are white and appear to be made of a soft, textured fabric. The side tables are rectangular and have a dark top surface. The overall scene is bright and sunny, suggesting a warm, tropical environment.

Ref. Asol 18



Ref. Asol 18

MUEBLES
Arte
Moderno
OUTDOOR LIVING



Ref. Asol 19



Ref. Asol 19





Ref. Asol 20





MUEBLES
Arte
Moderno
OUTDOOR LIVING

Ref. Asol21



34563166 / 9785-9853

Calhamar
CALHAS RUPOS PINDOCOLAS
TEL: 9795-3501-3498-7104-3453-0265
AV. LUCIANO DE SOUSA S/N 142 JOZE PAREMP



Ref. Asol21

MUEBLES
*Arte
Moderno*



OUTDOOR LIVING



Ref. Asol22





Ref. Asol22



Ref. Asol23



Ref. Asol24





MUEBLES
Arte
Moderno
OUTDOOR LIVING

Ref. Asol24





Ref. Asol25



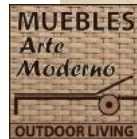


Ref. Asol25





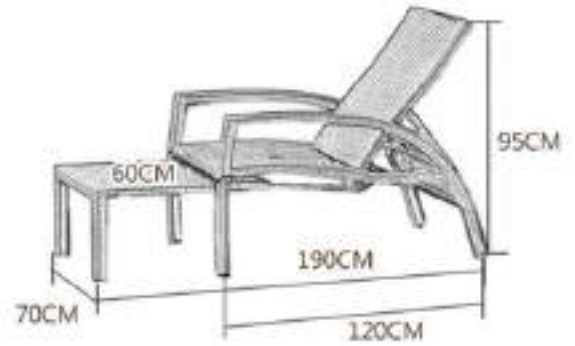
Ref. Asol26





Ref. Asol27





Ref. Asol27



MUEBLES
*Arte
Moderno*
OUTDOOR LIVING



Ref. Asol28



Ref. Asol28



Ref. Asol29



MUEBLES
Arte
Moderno
OUTDOOR LIVING



MUEBLES
Arte
Moderno
OUTDOOR LIVING

Ref. Asol29





Ref. Asol30





Ref. Asol31

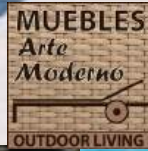


Ref. Asol32





Ref. Asol33



Ref. Asol34





Ref. Asol35



Ref. Asol35





Ref. Asol36



MUEBLES
Arte
Moderno
OUTDOOR LIVING



Ref. Asol37

A photograph of a modern outdoor lounge furniture set. The set consists of two lounge chairs and a central ottoman, all made of dark brown wicker. The chairs and ottoman have thick white cushions. Each chair is equipped with a square pillow featuring horizontal stripes in navy blue and white. A navy blue throw blanket is draped over the ottoman. A tall, slender wooden umbrella stands behind the furniture. The scene is set on a light-colored patio with a lush green background of trees and a glimpse of a swimming pool and ocean in the distance.

Ref. Asol37



Ref. Asol38

Ref. Asol39





Ref. Asol39



SIGUENOS EN:

Instagram como Mueblesartemoderno

Twiter como @arte_muebles

y facebook como Mueblesartemoderno

tel. 3172207754